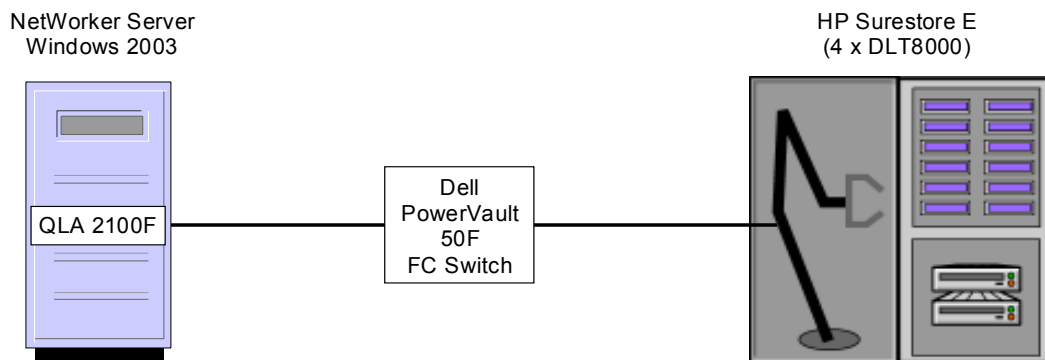


## So können die SJI-Befehle Ihnen helfen, Probleme bei der Jukebox-Installation zu untersuchen

In diesem Tip möchte ich Ihnen meine Erfahrung mitteilen, die ich kürzlich selbst bei einer Jukebox-Installation gemacht habe. Sie soll Ihnen helfen, in einem gleichen oder ähnlichen Fehlerfall das Problem schnell und einfach zu beheben. Die Umgebung war eigentlich sehr einfach:



Auf den ersten Blick schien alles sehr gut zu sein. Dies sind die Laufwerke, die der Befehl `inquire` fand:

```
C:\>inquire -cl
```

```
-l flag found: searching all LUNs, which may take over 10 minutes per adapter
for some fibre channel adapters. Please be patient.
```

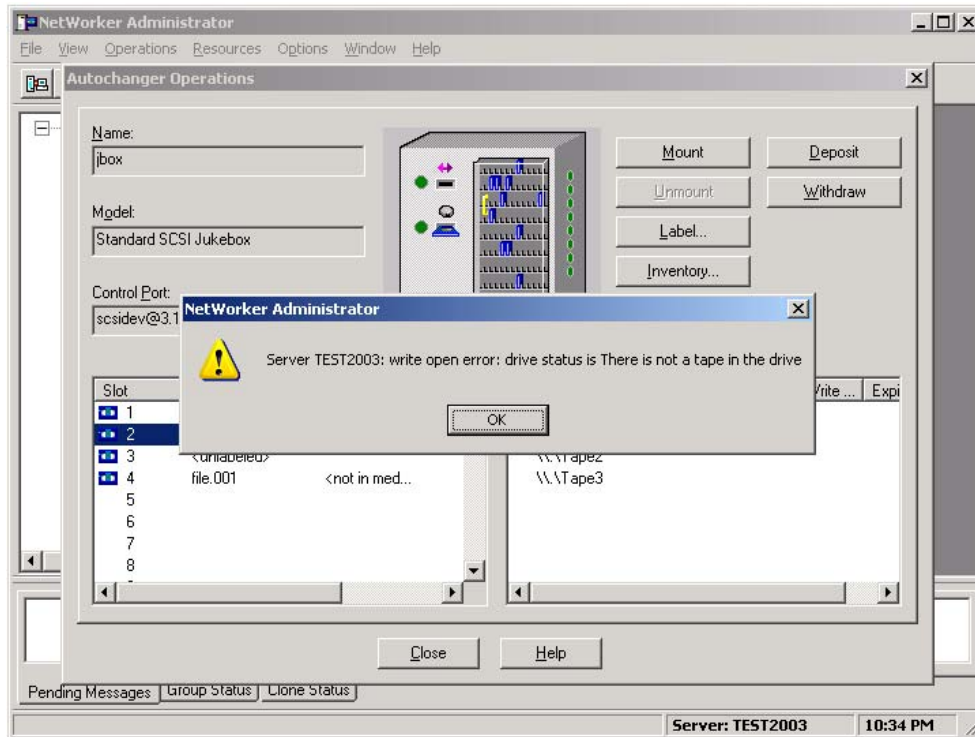
```
Could not start a Removable Storage session (0x00000422).
```

```
scsidev@0.0.0:Maxtor 6Y060L0          YAR4|Disk, \\.\PHYSICALDRIVE0
scsidev@1.0.0: Unknown error
scsidev@3.0.0:QUANTUM DLT8000          023B|Tape, \\.\Tape0
                                         S/N: CXA11P2353
                                         IENN:00E09E6000020027
scsidev@3.0.1:QUANTUM DLT8000          023B|Tape, \\.\Tape1
                                         S/N: CXA03P2011
                                         IENN:00E09E60000105F1
scsidev@3.1.0:HP          C7200-8000    1520|Autochanger (Jukebox), \\.\Changer0
                                         S/N: US0EK00003
                                         ATNN:HP          C7200-8000          US0EK00003
scsidev@3.1.1:QUANTUM DLT8000          023B|Tape, \\.\Tape2
                                         S/N: CXA35P4827
                                         IENN:00E09E600000522F
scsidev@3.1.2:QUANTUM DLT8000          023B|Tape, \\.\Tape3
                                         S/N: CKA28P3588
                                         IENN:00E09E6000001230
```

```
C:\>
```

So war die Installation der Jukebox natürlich auch kein Problem. Ich installierte die Laufwerke wie üblich, beginnend mit dem ersten Laufwerk (\\.\Tape0) bis zum vierten Laufwerk (\\.\Tape3).

Wie erwartet lief alles problemlos. Allerdings führte bereits das Labeln des ersten Bandes zu diesem Fehler:



Da ich überprüfen konnte, daß tatsächlich ein Band geladen worden war, konnte ich nur mutmaßen, daß es in das falsche Laufwerk eingelegt worden war.

Um das zu untersuchen, benutzte ich den Befehl `sjimm`, um das Band zu laden und dann den Befehl `tapeexer`, um zu überprüfen, in welchem Laufwerk es sich tatsächlich befand. Die Ergebnisse finden Sie auf der nächsten Seite.

```
C:\>sjimm 3.1.0 slot 1 drive 1
```

```
C:\>tapeexer -B \\.\Tape0
```

```
BasicTest: test begin
\\.\Tape0: tape_open SetTapeParameters failed, err=No media in drive. (1112)
\\.\Tape0: tape_open SetTapeParameters failed, err=No media in drive. (1112)
\\.\Tape0: tape_open SetTapeParameters failed, err=No media in drive. (1112)
\\.\Tape0: tape_open SetTapeParameters failed, err=No media in drive. (1112)
\\.\Tape0: tape_open SetTapeParameters failed, err=No media in drive. (1112)
\\.\Tape0: tape_open SetTapeParameters failed, err=No media in drive. (1112)
\\.\Tape0: tape_open SetTapeParameters failed, err=No media in drive. (1112)
\\.\Tape0: tape_open SetTapeParameters failed, err=No media in drive. (1112)
\\.\Tape0: tape_open SetTapeParameters failed, err=No media in drive. (1112)
\\.\Tape0: tape_open SetTapeParameters failed, err=No media in drive. (1112)
```

```
Report Summary:
Basic Test: failed
```

```
C:\>tapeexer -B \\.\Tape1
```

```
BasicTest: test begin
\\.\Tape1: tape_open SetTapeParameters failed, err=No media in drive. (1112)
\\.\Tape1: tape_open SetTapeParameters failed, err=No media in drive. (1112)
\\.\Tape1: tape_open SetTapeParameters failed, err=No media in drive. (1112)
\\.\Tape1: tape_open SetTapeParameters failed, err=No media in drive. (1112)
\\.\Tape1: tape_open SetTapeParameters failed, err=No media in drive. (1112)
\\.\Tape1: tape_open SetTapeParameters failed, err=No media in drive. (1112)
\\.\Tape1: tape_open SetTapeParameters failed, err=No media in drive. (1112)
\\.\Tape1: tape_open SetTapeParameters failed, err=No media in drive. (1112)
\\.\Tape1: tape_open SetTapeParameters failed, err=No media in drive. (1112)
\\.\Tape1: tape_open SetTapeParameters failed, err=No media in drive. (1112)
```

```
Report Summary:
Basic Test: failed
```

```
C:\>tapeexer -B \\.\Tape2
```

```
BasicTest: test begin
BasicTest: test ok
```

```
Report Summary:
Basic Test: passed
```

```
C:\>
```

Wie Sie sehen können, stimmte die Zuordnung nicht (mehr) - anstatt das Laufwerk \\.\Tape0 zu laden, wurde das Band tatsächlich in das Laufwerk \\.\Tape2 eingelegt

Der Rest war einfach - mit entsprechend geänderten Befehlen fand ich die tatsächliche Zuordnung der Windows Gerätenamen und der Laufwerke heraus. Sie hatte sich wie folgt geändert:

Windows Laufwerk	Tatsächlich geladenes Laufwerk
\\.\Tape0	\\.\Tape2
\\.\Tape1	\\.\Tape3
\\.\Tape2	\\.\Tape0
\\.\Tape3	\\.\Tape1

Ich löschte die installierte Jukebox und installierte sie erneut, diesmal mit der geänderten Reihenfolge der Laufwerke:

```
C:\>jbconfig
```

- 1) Configure an AlphaStor/SmartMedia Jukebox.
- 2) Configure an Autodetected SCSI Jukebox.
- 3) Configure an Autodetected NDMP SCSI Jukebox.
- 4) Configure an SJI Jukebox.
- 5) Configure an STL Silo.
- 6) Configure a Microsoft Removable Storage Jukebox.

```
What kind of Jukebox are you configuring? [1] 2
```

```
Installing 'Standard SCSI Jukebox' jukebox - scsidev@3.1.0.
```

```
What name do you want to assign to this jukebox device? jbox
```

```
Turn NetWorker auto-cleaning on (yes / no) [yes]? yes
```

```
The drives in this jukebox cannot be auto-configured with the available  
information. You will need to provide the path for the drives.
```

```
Is (any path of) any drive intended for NDMP use? (yes / no) [no] no
```

```
Is any drive going to have more than one path defined? (yes / no) [no] no
```

```
Please enter the device path information in one of the following formats:
```

```
\\.\Tape0 --for local path or  
host:device-path --for remote node or  
host:drive-letter:directory path --for Windows disk file
```

```
Drive 1, element 1
```

```
Drive path ? \\.\Tape2
```

```
This path already exists in the database. Proceed with the same path?  
(yes / no) [yes] yes
```

```
Drive 2, element 2
```

```
Drive path ? \\.\Tape3
```

```
This path already exists in the database. Proceed with the same path?  
(yes / no) [yes] yes
```

```
Drive 3, element 3
```

```
Drive path ? \\.\Tape0
```

```
This path already exists in the database. Proceed with the same path?  
(yes / no) [yes] yes
```

```
Drive 4, element 4
```

```
Drive path ? \\.\Tape1
```

```
This path already exists in the database. Proceed with the same path?  
(yes / no) [yes] yes
```

```
.....
```

```
.....
Only model dlt8000 drives have been detected.
Are all drives in this jukebox of the same model? (yes / no) [yes] yes

Found device \\.\Tape2 already configured in NetWorker.
Delete existing definition? (yes / no) [no] no

Found device \\.\Tape3 already configured in NetWorker.
Delete existing definition? (yes / no) [no] no

Found device \\.\Tape0 already configured in NetWorker.
Delete existing definition? (yes / no) [no] no

Found device \\.\Tape1 already configured in NetWorker.
Delete existing definition? (yes / no) [no] no

Jukebox has been added successfully

The following configuration options have been set:

> Jukebox description to the control port and model.
> Autochanger control port to the port at which we found it.
> Networker managed tape autocleaning on.
> Barcode reading to on. Your jukebox does not report that it has a bar
code reader, but it does report that it can handle volume tags. Some
jukeboxes that have barcode readers report this way.
> Volume labels that match the barcodes.
> Slot intended to hold cleaning cartridge to 59. Please insure that a
cleaning cartridge is in that slot
> Number of times we will use a new cleaning cartridge to 5.

You can review and change the characteristics of the autochanger and its
associated devices using nwadmin.

Would you like to configure another jukebox? (yes/no) [no] no

C:\>
```

Damit löste sich selbstverständlich auch das Problem.